

# FORMING FACT



## BIERSCHBACH EQUIPMENT & SUPPLY

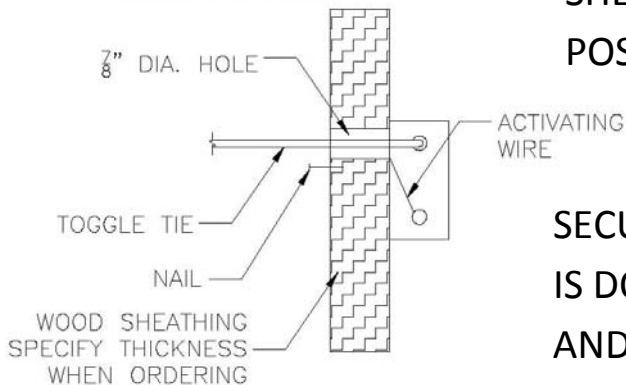
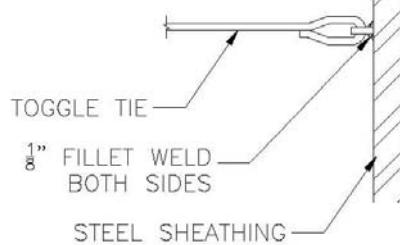
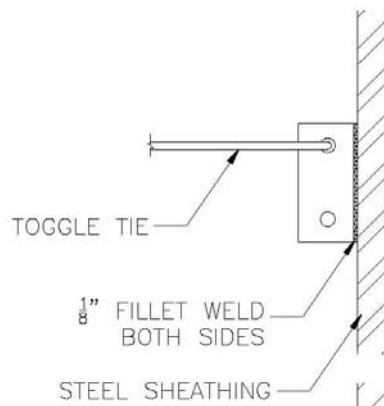
1101 S LYONS AVE  
SIOUX FALLS, SD 57106  
1-800-843-3707

3030 N PLAZA DRIVE  
RAPID CITY, SD 57709  
1-800-658-5437

2121 LEECH AVE  
SIOUX CITY, IA 51106  
1-800-243-3707

4001 MAIN AVE  
FARGO, ND 58103  
1-800-540-2760

### SINGLE END THREADED TOGGLE TIE



THE TOGGLE END THREADED TIE FACILITATES TWO BASIC APPLICATION CONNECTIONS:

1. TOGGLE TIES PROVIDE FOR FIELD WELD ATTACHMENT TO STEEL PILING, STRUCTURAL STEEL, REBAR, ETC.
2. TOGGLE TIES PROVIDE ANCHORAGE TO LUMBER BY INSERTING THE TOGGLE THROUGH A  $\frac{7}{8}$ " DIAMETER HOLE IN THE SHEATHING AND SECURING ITS BEARING POSITION WITH ACTIVATING WIRE.

SECURING THE THREADED END TO THE FORM IS DONE WITH USE OF A SPECIAL  $\frac{1}{4}$ "x20 NUT AND KEEPER BOLT.